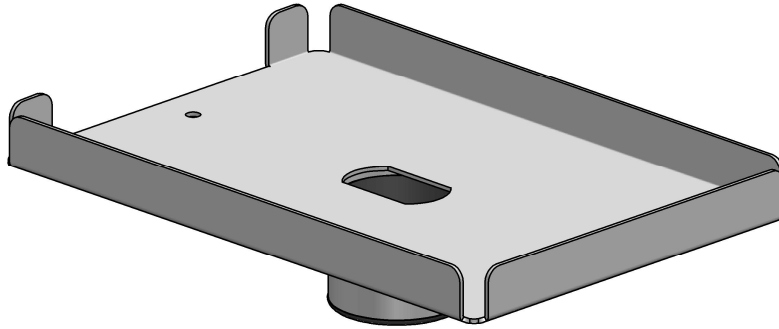


Project Configuration Sheet – SPV3104-nn

**Printer Plate with straight angle for
Epson TM-T88 Printer with cable cover,
STAR Micronics TSP 100/650
Version 1.5**



Parts List

<i>Part No.</i>	<i>Description</i>	<i>Qty</i>	<i>Assemble</i>	<i>Box</i>
30701	Printer Plate with straight angle for Epson TM-T88 & STAR Micronics TSP 100/650	1		1

Installation Guide MK15-0175

Packaging Item Box = B014 (packed 36) Item Weight = 30kg Pallet Capacity = 10 items

Box Label MK15-0029 – SPV3104-nn– V 1.5 (place on each item)
MK15-0026 – 36x SPV3104-nn, Epson/STAR – TM-T88 (with cable cover) & TSP 100/650
Printer plate, straight angle – V1.5

Colour	<nn>		
	01	Light Grey	
	02	Black	
	03	Silver	
	04	Pearl	
	05	Iron Grey	