



Display M185

10.1" Wide Screen Small Display



Touch screen



True Flat Design



16:9
Wide Screen



10.1"
TFT LCD

Product Features:

- 10.1" 16:9 TFT LCD (LCD Backlight)
- True Flat Projected Capacitive Technology
- Display Brightness: 350 nits
- Low power consumption 10W/per hour



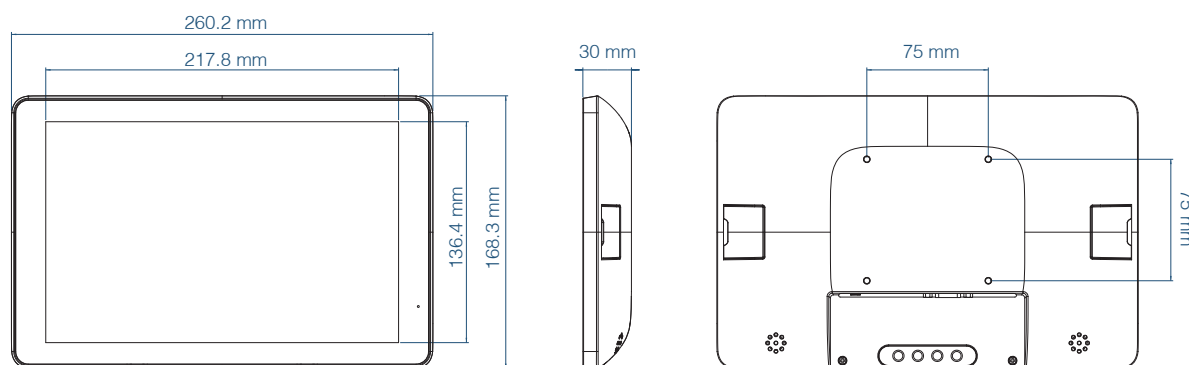
- Support Video Signal: VGA & DisplayPort
- Durable die-cast aluminum chassis; built to last
- VESA mount for multiple mounting options (75 x 75 mm)

Specification:

Model Name		M185
Description		10.1" True Flat P-Cap Display
Display	Display Size	10.1" (16:9)
	True-Flat	Y
	Interface	VGA/DP
	Optimal Resolution	1280 x 800
	Viewing Angle	170 degrees (H) ; 170 degrees (V)
	Brightness (Panel)	350
	Contrast Ratio	800:1
	Response Time (ms)	25 ms (typ)
	Power Supply	DC 12V +/- 10%
	Active Area	216.96(H) x 135.60(V)
	Color Arrangement	RGB-stripe
Touch Type	Touch Type	True Flat Projected Capacitive Technology
Input Terminals	For Video Signal	D-Sub 15 pins+Display Port
Input Frequency		Horizontal: 31.5 kHz~60.2 kHz Vertical: 56.3Hz~75Hz
Physical Dimension (W x H x D) mm		260.2 x 168.3 x 30 mm
Environment	Operating Condition	Temperature: 0°C ~ 40°C Humidity: 20% ~ 80% RH, non-condensing
	Storage Condition	Temperature: -10°C ~ 50°C Humidity: 10% ~ 90% RH, non-condensing
	Power Consumption	10 W
Certifications	EMI / Safety	CE, FCC, LVD
Wall Mount Kit		VESA 75 x 75

* The right has been reserved to change the specification without prior notice.

Dimensions :



IO Interface :

